

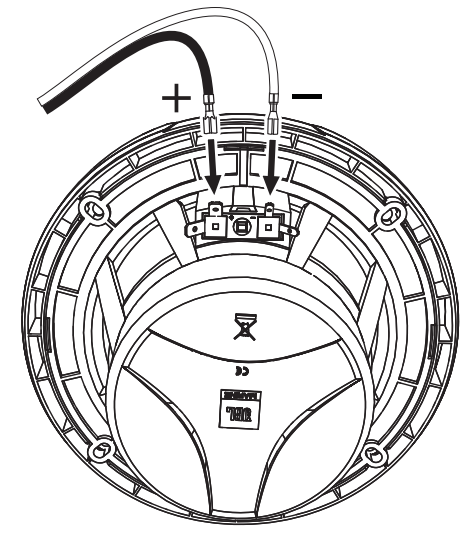
HARMAN International Industries, Inc.
 8500 Balboa Boulevard, Northridge, CA 91329 USA
 © 2014 HARMAN International Industries, Incorporated. All rights reserved.
 JBL is a trademark of HARMAN International Industries, Incorporated.
 registered in the United States and/or other countries.
 Features, specifications and appearance are subject to change without notice.



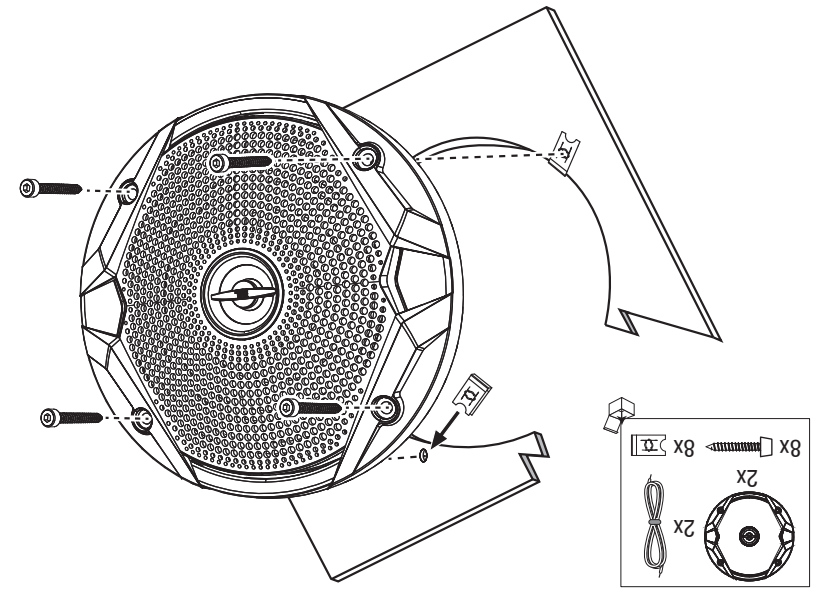
www.jbl.com



marine speaker



MS6510, MS6520, MS9520



MS6510, MS6520, MS9520

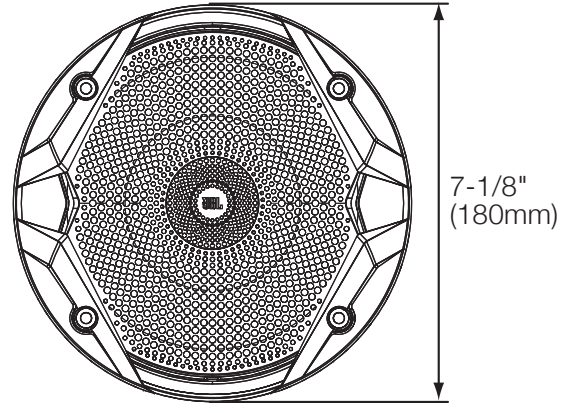
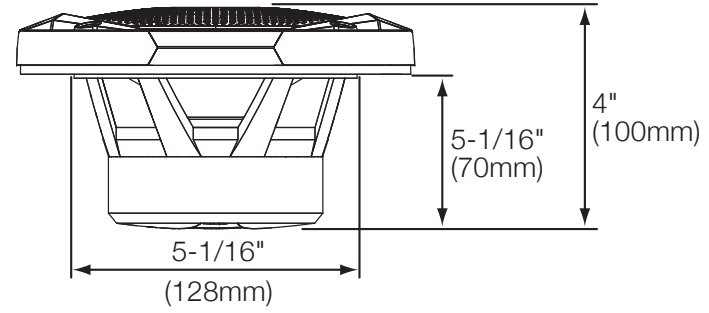
INSTALLATION MANUAL



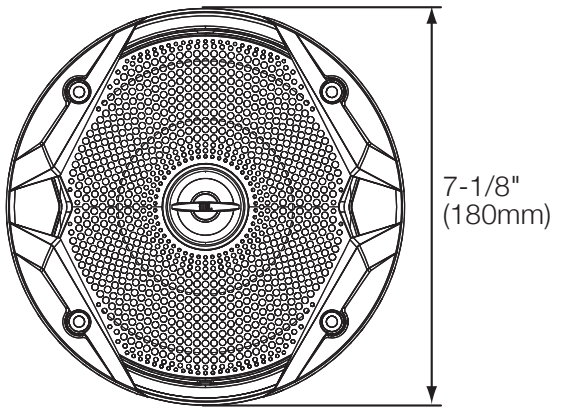
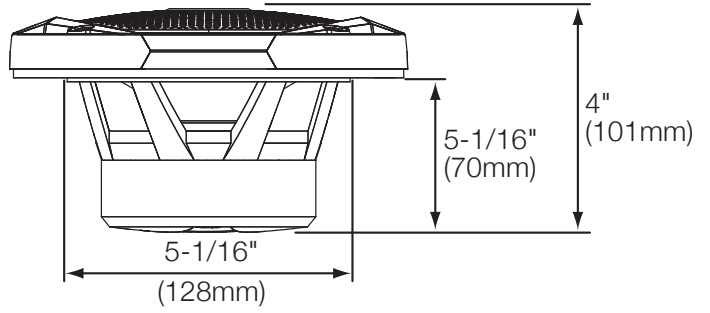
JBL® MARINE SERIES



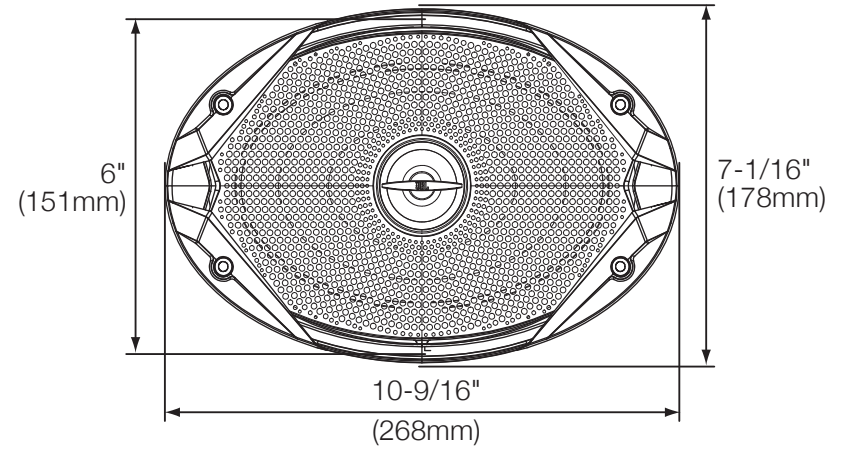
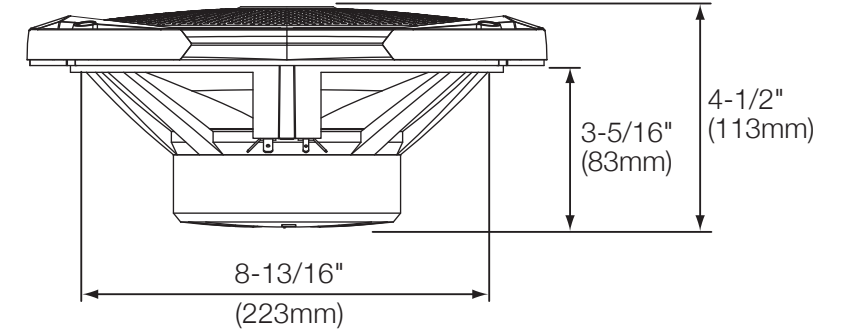
MS6510



MS6520



MS9520



TECHNISCHE DATEN					
Type	6-1/2" (165mm)	6-1/2" (165mm)	6-1/2" (165mm)	6" x 9"	6" x 9"
Continuous power handling	50W	60W	100W	100W	100W
Peak power handling	150W	180W	300W	300W	300W
Frequency response	50Hz – 18kHz	50Hz – 20kHz	37Hz – 20kHz	37Hz – 20kHz	37Hz – 20kHz
Nominal impedance	4 ohms	4 ohms	4 ohms	4 ohms	4 ohms
Sensitivity (2.83V/1m)	90dB	90dB	90dB	92dB	92dB
External diameter	7-1/8" (180mm)	7-1/8" (180mm)	7-1/8" (180mm)	7-1/8" (180mm)	7-1/8" (180mm)
Mounting cutout diameter	5-1/16" (128mm)	5-1/16" (128mm)	5-1/16" (128mm)	5-1/16" (128mm)	5-1/16" (128mm)
Total depth	4" (100mm)	4" (101mm)	4" (101mm)	4-1/2" (113mm)	4-1/2" (113mm)
Mounting depth	2-13/16" (70mm)	2-13/16" (70mm)	2-13/16" (70mm)	3-5/16" (83mm)	3-5/16" (83mm)

English

TECHNISCHE DATEN					
Type	6-1/2" (165mm)	6-1/2" (165mm)	6" x 9"	6" x 9"	6" x 9"
Dauerbelastbarkeit	50 W	60 W	100 W	100 W	100 W
Spitzenbelastbarkeit	150 W	180 W	300 W	300 W	300 W
Frequenzbereich	50 Hz – 18 kHz	50 Hz – 20 kHz	37 Hz – 20 kHz	37 Hz – 20 kHz	37 Hz – 20 kHz
Nennimpedanz	4 Ohm	4 Ohm	4 Ohm	4 Ohm	4 Ohm
Wirkungsgrad @ 2,83V/1 Meter	90 dB	90 dB	90 dB	92 dB	92 dB
Außendurchmesser	180 mm	180 mm	180 mm	180 mm	180 mm
Durchmesser des Montageausschnittes	128 mm	128 mm	128 mm	128 mm	128 mm
Volständige Tiefe	100 mm	101 mm	101 mm	113 mm	113 mm
Einbautiefe	70 mm	70 mm	70 mm	83 mm	83 mm

Danish

TEKNISET TIEDOT					
Typpi	6-1/2" (165mm)	6-1/2" (165mm)	6" x 9"	6" x 9"	6" x 9"
Continuous power handling	50W	60W	100W	100W	100W
Peak power handling	150W	180W	300W	300W	300W
Tajuusaste	50Hz – 18kHz	50Hz – 20kHz	37Hz – 20kHz	37Hz – 20kHz	37Hz – 20kHz
Nimellisimpedanssi	4 ohmia	4 ohmia	4 ohmia	4 ohmia	4 ohmia
Wirkungsgrad @ 2,83V @ 1 m	90dB	90dB	90dB	92dB	92dB
Ulkohalkaisija	7-1/8" (180mm)	7-1/8" (180mm)	7-1/8" (180mm)	7-1/8" (180mm)	7-1/8" (180mm)
asennusaukon halkaisija	5-1/16" (128mm)	5-1/16" (128mm)	5-1/16" (128mm)	5-1/16" (128mm)	5-1/16" (128mm)
kokonaisyyys	4" (100mm)	4" (101mm)	4" (101mm)	4-1/2" (113mm)	4-1/2" (113mm)
asennussyys	2-13/16" (70mm)	2-13/16" (70mm)	2-13/16" (70mm)	3-5/16" (83mm)	3-5/16" (83mm)

Suomi

仕様					
形式	6-1/2" (165mm)	6-1/2" (165mm)	6" x 9"	6" x 9"	6" x 9"
定格入力	50W	60W	100W	100W	100W
最大許容入力	150W	180W	300W	300W	300W
周波数特性	50Hz – 18kHz	50Hz – 20kHz	37Hz – 20kHz	37Hz – 20kHz	37Hz – 20kHz
インピーダンス	4オーム	4オーム	4オーム	4オーム	4オーム
出力音差L/VR (2.83V/m)	90dB	90dB	90dB	92dB	92dB
外形寸法	7-1/8" (180mm)	7-1/8" (180mm)	7-1/8" (180mm)	7-1/8" (180mm)	7-1/8" (180mm)
取付寸法	5-1/16" (128mm)	5-1/16" (128mm)	5-1/16" (128mm)	5-1/16" (128mm)	5-1/16" (128mm)
最大奥行	4" (101mm)	4" (101mm)	4" (101mm)	4-1/2" (113mm)	4-1/2" (113mm)
埋込み寸法	2-13/16" (70mm)	2-13/16" (70mm)	2-13/16" (70mm)	3-5/16" (83mm)	3-5/16" (83mm)

Japanese

CARACTÉRISTIQUES					
Type	6-1/2" (165mm)	6-1/2" (165mm)	6" x 9"	6" x 9"	6" x 9"
Puissance crête admissible	50W	60W	100W	100W	100W
Réponse en fréquence	50Hz – 18kHz	50Hz – 20kHz	37Hz – 20kHz	37Hz – 20kHz	37Hz – 20kHz
Impédance nominale	4 ohms	4 ohms	4 ohms	4 ohms	4 ohms
Sensibilité @ 2,83V/1m	90dB	90dB	90dB	92dB	92dB
Diamètre extérieur	7-1/8" (180mm)	7-1/8" (180mm)	7-1/8" (180mm)	7-1/8" (180mm)	7-1/8" (180mm)
Diamètre de découpe	5-1/16" (128mm)	5-1/16" (128mm)	5-1/16" (128mm)	5-1/16" (128mm)	5-1/16" (128mm)
Profondeur totale	4" (100mm)	4" (101mm)	4" (101mm)	4-1/2" (113mm)	4-1/2" (113mm)
Profondeur de montage	2-13/16" (70mm)	2-13/16" (70mm)	2-13/16" (70mm)	3-5/16" (83mm)	3-5/16" (83mm)

Français

ESPIGACIONES					
 Tipo	6-1/2" (165mm)	6-1/2" (165mm)	6" x 9"	6" x 9"	6" x 9"
Manejo de potencia continua	50W	60W	100W	100W	100W
Manejo de potencia punta	150W	180W	300W	300W	300W
Respuestas en frecuencia	50Hz – 18kHz	50Hz – 20kHz	37Hz – 20kHz	37Hz – 20kHz	37Hz – 20kHz
Impedancia nomina	4 ohms	4 ohms	4 ohms	4 ohms	4 ohms
Sensibilidad @ 2.83V @ 1 metro	90dB	90dB	90dB	92dB	92dB
Díametro exterior	7-1/8" (180mm)	7-1/8" (180mm)	7-1/8" (180mm)	7-1/8" (180mm)	7-1/8" (180mm)
Díametro de diámetro recorte	5-1/16" (128mm)	5-1/16" (128mm)	5-1/16" (128mm)	5-1/16" (128mm)	5-1/16" (128mm)
Profundidad total	4" (100mm)	4" (101mm)	4" (101mm)	4-1/2" (113mm)	4-1/2" (113mm)
Profundidad de montaje	2-13/16" (70mm)	2-13/16" (70mm)	2-13/16" (70mm)	3-5/16" (83mm)	3-5/16" (83mm)

Español

规格					
类型	6-1/2" (165mm)	6-1/2" (165mm)	6" x 9"	6" x 9"	6" x 9"
持续功率	50瓦	60瓦	100瓦	100瓦	100瓦
峰值功率	150瓦	180瓦	300瓦	300瓦	300瓦
频率范围	50赫兹 – 18kHz	50赫兹 – 20kHz	37赫兹 – 20kHz	37赫兹 – 20kHz	37赫兹 – 20kHz
标称阻抗	4欧	4欧	4欧	4欧	4欧
灵敏度 @ 2.83V/m	90分贝	90分贝	90分贝	92分贝	92分贝
外径	7-1/8" (180mm)	7-1/8" (180mm)	7-1/8" (180mm)	7-1/8" (180mm)	7-1/8" (180mm)
安装开口直径	5-1/16" (128mm)	5-1/16" (128mm)	5-1/16" (128mm)	5-1/16" (128mm)	5-1/16" (128mm)
安装深度	4" (100mm)	4" (101mm)	4" (101mm)	4-1/2" (113mm)	4-1/2" (113mm)
安装深度	2-13/16" (70mm)	2-13/16" (70mm)	2-13/16" (70mm)	3-5/16" (83mm)	3-5/16" (83mm)

简体中文

SPÉCIFICATIONS					
Type	6-1/2" (165mm)	6-1/2" (165mm)	6" x 9"	6" x 9"	6" x 9"
Continuermogen afhandeling	50W	60W	100W	100W	100W
Piekvermogen afhandeling	150W	180W	300W	300W	300W
Frequentiebereik	50Hz – 18kHz	50Hz – 20kHz	37Hz – 20kHz	37Hz – 20kHz	37Hz – 20kHz
Nominale impedantie	4 ohms	4 ohms	4 ohms	4 ohms	4 ohms
Gevoeligheid @ 2,83V @ 1 meter	90dB	90dB	90dB	92dB	92dB
Uitwendige diameter	7-1/8" (180mm)	7-1/8" (180mm)	7-1/8" (180mm)	7-1/8" (180mm)	7-1/8" (180mm)
Montage uitsparingsdiameter	5-1/16" (128mm)	5-1/16" (128mm)	5-1/16" (128mm)	5-1/16" (128mm)	5-1/16" (128mm)
Totale diepte	4" (100mm)	4" (101mm)	4" (101mm)	4-1/2" (113mm)	4-1/2" (113mm)
Inbouwdiepte	2-13/16" (70mm)	2-13/16" (70mm)	2-13/16" (70mm)	3-5/16" (83mm)	3-5/16" (83mm)

Néerlandais

SPÉCIFICATIONER					
Type	6-1/2" (165mm)	6-1/2" (165mm)	6" x 9"	6" x 9"	6" x 9"
Kontinuerlig mækkerekt	50W	60W	100W	100W	100W
Toppeffekt hanterling	150W	180W	300W	300W	300W
Frekvensområde	50Hz – 18kHz	50Hz – 20kHz	37Hz – 20kHz	37Hz – 20kHz	37Hz – 20kHz
Nomiel impedans	4 ohms	4 ohms	4 ohms	4 ohms	4 ohms
Kænslighed @ 2,83V @ 1 meter	90dB	90dB	90dB	92dB	92dB
Ytre diameter	7-1/8" (180mm)	7-1/8" (180mm)	7-1/8" (180mm)	7-1/8" (180mm)	7-1/8" (180mm)
Montefing utskuren diameter	5-1/16" (128mm)	5-1/16" (128mm)	5-1/16" (128mm)	5-1/16" (128mm)	5-1/16" (128mm)
Total djup	4" (100mm)	4" (101mm)	4" (101mm)	4-1/2" (113mm)	4-1/2" (113mm)
Montefingsdjup	2-13/16" (70mm)	2-13/16" (70mm)	2-13/16" (70mm)	3-5/16" (83mm)	3-5/16" (83mm)

Svenska

DANE TECHNICZNE					
Typ	6-1/2" (165mm)	6-1/2" (165mm)	6" x 9"	6" x 9"	6" x 9"
Moc RMS	50W	60W	100W	100W	100W
Moc szczytowa	150W	180W	300W	300W	300W
Passmo przenoszenia	50Hz – 18kHz	50Hz – 20kHz	37Hz – 20kHz	37Hz – 20kHz	37Hz – 20kHz
Impedancja	4 omg	4 omg	4 omg	4 omg	4 omg
Skuczność (2,83V @ 1m)	90dB	90dB	90dB	92dB	92dB
Średnica głośnika	7-1/8" (180mm)	7-1/8" (180mm)	7-1/8" (180mm)	7-1/8" (180mm)	7-1/8" (180mm)
Średnica otworu montażowego	5-1/16" (128mm)	5-1/16" (128mm)	5-1/16" (128mm)	5-1/16" (128mm)	5-1/16" (128mm)
Głębokość głośnika	4" (100mm)	4" (101mm)	4" (101mm)	4-1/2" (113mm)	4-1/2" (113mm)
Głębokość montażu	2-13/16" (70mm)	2-13/16" (70mm)	2-13/16" (70mm)	3-5/16" (83mm)	3-5/16" (83mm)

Polski

TEKNIK ÖZELLİKLER					
Tip	6-1/2" (165mm)	6-1/2" (165mm)	6" x 9"	6" x 9"	6" x 9"
Çift konilli hoparlör	50W	60W	100W	100W	100W
Kesintisiz güç kullanim	150W	180W	300W	300W	300W
Frekans Tepkisi	50Hz – 18kHz	50Hz – 20kHz	37Hz – 20kHz	37Hz – 20kHz	37Hz – 20kHz
Nominal İmpedans	4 ohms	4 ohms	4 ohms	4 ohms	4 ohms
Duyarlılık (2.83V, 1m)	90dB	90dB	90dB	92dB	92dB
Hard cap	7-1/8" (180mm)	7-1/8" (180mm)	7-1/8" (180mm)	7-1/8" (180mm)	7-1/8" (180mm)
Montaj kesici çapı	5-1/16" (128mm)	5-1/16" (128mm)	5-1/16" (128mm)	5-1/16" (128mm)	5-1/16" (128mm)
Toplam derinlik	4" (100mm)	4" (101mm)	4" (101mm)	4-1/2" (113mm)	4-1/2" (113mm)
Montaj derinliği	2-13/16" (70mm)	2-13/16" (70mm)	2-13/16" (70mm)	3-5/16" (83mm)	3-5/16" (83mm)

Türkçe

SPECIFICHE

TIPO					
Gestione corrente piccolo	50W	60W	100W	100W	100W
Risposta in frequenza	50Hz – 18kHz	50Hz – 20kHz	37Hz – 20kHz	37Hz – 20kHz	37Hz – 20kHz
Impedenza nominale	4 ohms	4 ohms	4 ohms	4 ohms	4 ohms
Sensibilità 2.83V @ 1 metro	90dB	90dB	90dB	92dB	92dB
Diametro esterno	7-1/8" (180mm)	7-1/8" (180mm)	7-1/8" (180mm)	7-1/8" (180mm)	7-1/8" (180mm)
Diametro soglia di montaggio	5-1/16" (128mm)	5-1/16" (128mm)	5-1/16" (128mm)	5-1/16" (128mm)	5-1/16" (128mm)
Profondità totale	4" (100mm)	4" (101mm)	4" (101mm)	4-1/2" (113mm)	4-1/2" (113mm)
Profondità di montaggio	2-13/16" (70mm)	2-13/16" (70mm)	2-13/16" (70mm)	3-5/16" (83mm)	3-5/16" (83mm)

Italiano

SPECIFIKATIONER

Type					
Kontinuerlig strømstyring	50W	60W	100W	100W	100W
Spidsbelastning-strømstyring	150W	180W	300W	300W	300W
Frekvensgang	50Hz – 18kHz	50Hz – 20kHz	37Hz – 20kHz	37Hz – 20kHz	37Hz – 20kHz
Nomiel impedans	4 ohms	4 ohms	4 ohms	4 ohms	4 ohms
Følsomhed 2,83V, 1m	90dB	90dB	90dB	92dB	92dB
Ekstern diameter	7-1/8" (180mm)	7-1/8" (180mm)	7-1/8" (180mm)	7-1/8" (180mm)	7-1/8" (180mm)
Udskåret diameter	5-1/16" (128mm)	5-1/16" (128mm)	5-1/16" (128mm)	5-1/16" (128mm)	5-1/16" (128mm)
Total dybde	4" (100mm)	4" (101mm)	4" (101mm)	4-1/2" (113mm)	4-1/2" (113mm)
Montefingsdybde	2-13/16"				